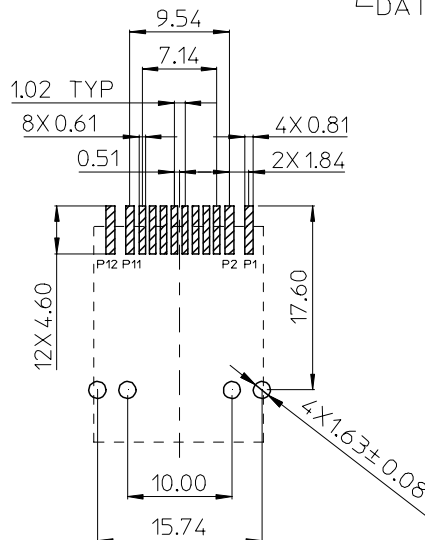
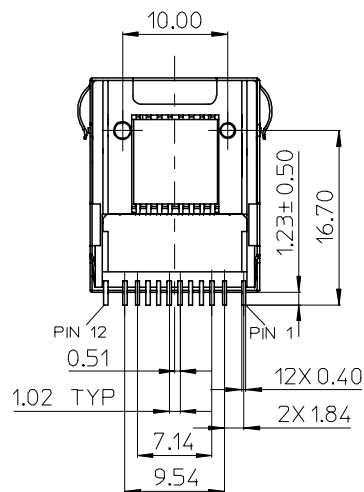
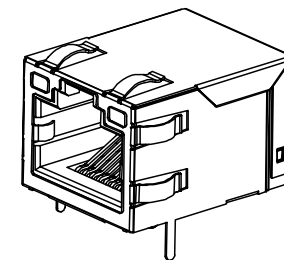
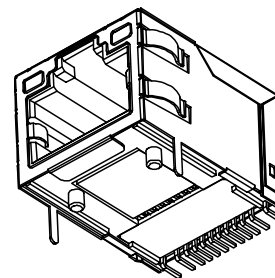


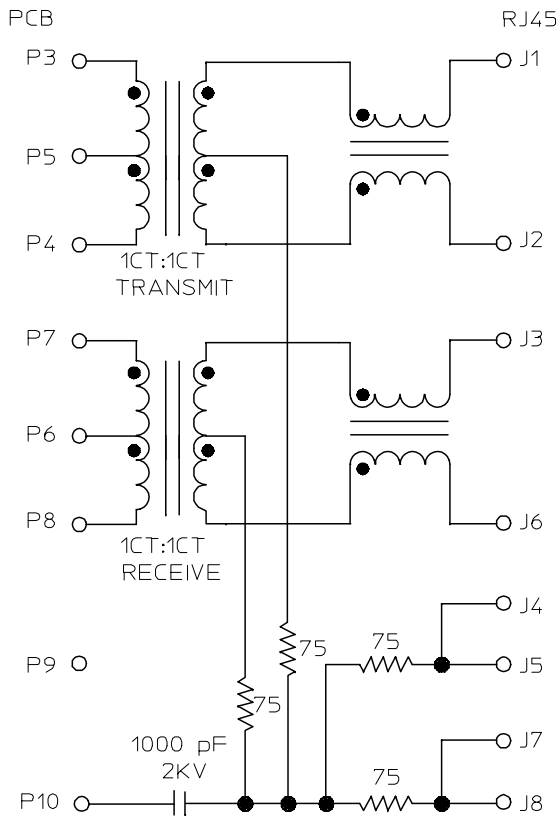
- NOTES:
- MATERIAL:
METAL SHELL: BRASS
HOUSING: POLYAMIDE, GLASS FIBER FILLED, UL94V-0, COLOR: BLACK
INSERT: POLYAMIDE, GLASS FIBER FILLED, UL94V-0, COLOR: BLACK
TERMINAL: PHOSPHOR BRONZE
 - PLATING:
TERMINAL:
CONTACT AREA: GOLD(Au), THICKNESS=30 MICROINCH MINIMUM.
SOLDER TAIL: TIN(Sn) PLATED, THICKNESS=100 MICROINCH MINIMUM.
UNDER PLATE: NICKEL (Ni) PLATED.
METAL SHELL:
NICKEL (Ni) PLATED OVERALL, THICKNESS=50 MICROINCH MINIMUM.
SURFACE APPEARANCE: BRIGHT.
SOLDER AREA: IMMERSE TIN(Sn), THICKNESS=100 MICROINCH MINIMUM.
 - FOR IR REFLOW APPLICATION.
 - RECOMMENDED PCB THICKNESS: 1.60±0.05
 - PRODUCT SPECIFICATION REFER TO PS-48074-002.
 - TEST SUMMARY REFER TO TS-48074-002.
 - PACKAGING SPECIFICATION REFER TO PK-48074-001.
 - RETENTION FORCE: 30 lbf.
 - COPLANARITY: 0.10mm MAX.
 - LEAD FREE AND RoHS COMPLIANT PRODUCT.



RECOMMENDED P.C.B. LAYOUT



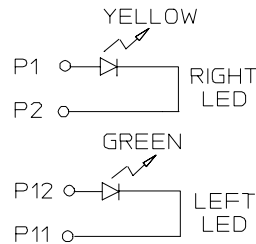
RoHS FOR 48074-0001 EC NO: SH2007-0130 DRWN: ALL IN CHKD: APPR: WMSCHANG	2006/10/04 2006/10/04 2006/10/04	QUALITY SYMBOLS	GENERAL TOLERANCES (UNLESS SPECIFIED)		DIMENSION STYLE		SCALE	DESIGN UNITS	THIRD ANGLE PROJECTION	
		 	mm	INCH	MM ONLY		1:1	METRIC		
			4 PLACES ± --- ± ---	3 PLACES ± --- ± ---	DRAWN BY	DATE	TITLE			
			2 PLACES ± 0.25 ± ---	1 PLACE ± 0.25 ± ---	LINDA	2006/08/08	MODULAR JACK WITH LED & INTEGRATED MAGNETICS SMT TYPE			
		ANGULAR ± 3 °	DRAFT WHERE APPLICABLE MUST REMAIN WITHIN DIMENSIONS		CHECKED BY	DATE	MOLEX INCORPORATED			
					APPROVED BY	DATE	DOCUMENT NO.		SHEET NO.	
					ERICK LAN	2006/08/10	48074-9001		SD-48074-002	
					MATERIAL NO.		48074-9001		1 OF 2	
					DOCUMENT NO.		SD-48074-002			
					SHEET NO.					
					THIS DRAWING CONTAINS INFORMATION THAT IS PROPRIETARY TO MOLEX INCORPORATED AND SHOULD NOT BE USED WITHOUT WRITTEN PERMISSION					



MAGNETIC SCHEMATIC

MAGNETIC ELECTRICAL SPECIFICATION

PARAMETER	SPECIFICATIONS		
INSERTION LOSS	100 KHZ		
	1.0 dB MAX.		
RETURN LOSS (Z OUT=100 OHM±15%)	1-10 MHz	30 MHz	60-80 MHz
	20 dB MIN	16 dB MIN	12 dB MIN
CROSSTALK	1-10 MHz	30-60 MHz	60-100 MHz
	40 dB MIN	35 dB MIN	30 dB MIN
COMMON MODE REJECTION RATIO	1-50 MHz	50-130 MHz	
	30 dB MIN	20 dB MIN	
HIPOT	@60 Hz, 1 MIN		
	1500 Vrms		



LED SCHEMATIC

LED ELECTRICAL SPECIFICATION

PARAMETER	YELLOW (TYP.)		GREEN (TYP.)		UNITS	TEST CONDITIONS
POWER DISSIPATION	105		105		mW	
REVERSE VOLTAGE	5		5		V	
PEAK WAVELENGTH	590		565		nm	I _F =20mA
FORWARD VOLTAGE	2.1	MAX.=2.5	2.2	MAX.=2.5	V	I _F =20mA

SEE SHEET 1 EC NO: SH2007-0130 DRWN: ALL IN CHKD: APPR: WMSCHANG	2006/10/04 2006/10/04 2006/10/04	QUALITY SYMBOLS 	GENERAL TOLERANCES (UNLESS SPECIFIED)		DIMENSION STYLE MM ONLY		SCALE 1:1	DESIGN UNITS METRIC	THIRD ANGLE PROJECTION			
				mm	INCH	DRAWN BY LINDA	DATE 2006/08/08	TITLE MODULAR JACK WITH LED & INTEGRATED MAGNETICS SMT TYPE				
			4 PLACES	± ---	± ---	CHECKED BY ALLEN LIN	DATE 2006/08/10					
			3 PLACES	± ---	± ---	APPROVED BY ERICK LAN	DATE 2006/08/10	MOLEX INCORPORATED MATERIAL NO. 48074-9001 DOCUMENT NO. SD-48074-002 SHEET NO. 2 OF 2				
2 PLACES	± 0.25	± ---	DRAFT WHERE APPLICABLE MUST REMAIN WITHIN DIMENSIONS									
1 PLACE	± 0.25	± ---	ANGULAR ± 3 °		THIS DRAWING CONTAINS INFORMATION THAT IS PROPRIETARY TO MOLEX INCORPORATED AND SHOULD NOT BE USED WITHOUT WRITTEN PERMISSION							